

IN-WALL

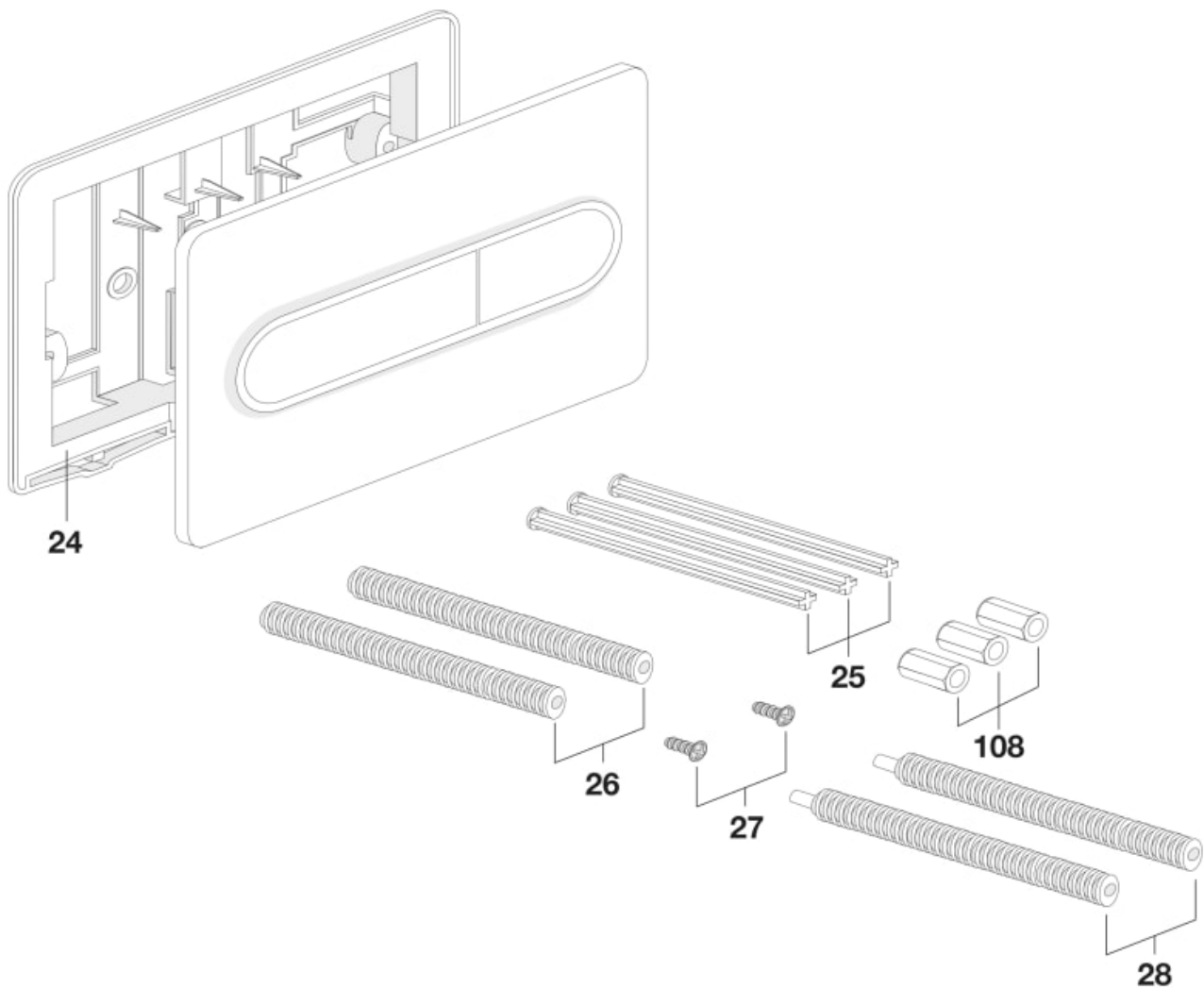
PL1 DUAL - Dual flush operating plate for concealed cistern

DIMENSIONS

Length 250 mm
Height 160 mm

COLOURS AND FINISHES

1 Chrome



SPARE-PARTS